

④ $\frac{1}{2}$ " FLAT BOARD
SCALE: $\frac{1}{4}$ " = 1"

BILL OF MATERIAL

- ① BL#01 - BL2700 MODIFIED
- ② PL BASE CUT TO 10" HEIGHT, REMOVE BOTTOM
- ③ MD1480S
- ④ FLAT BOARD


OPERATIONS

- ① MITER WITH RETURN
- ② MITER ONLY
- ③ MITER ON SITE

GENERAL NOTES:

- PILASTER WILL BE SHIPPED IN THREE PIECES A, B & C, AND ASSEMBLED ON SITE
- PL PREMIUM ADHESIVE MUST BE USED ON ALL BEDDING/BUTT JOINTS

© SPECTIS MOULDERS INC.



© 2006, Spectis Moulders Inc. All rights reserved. This document may not be

P.O. BOX 970
100 CEDAR DRIVE
NIVERVILLE, MANITOBA
CANADA R0A 1E0

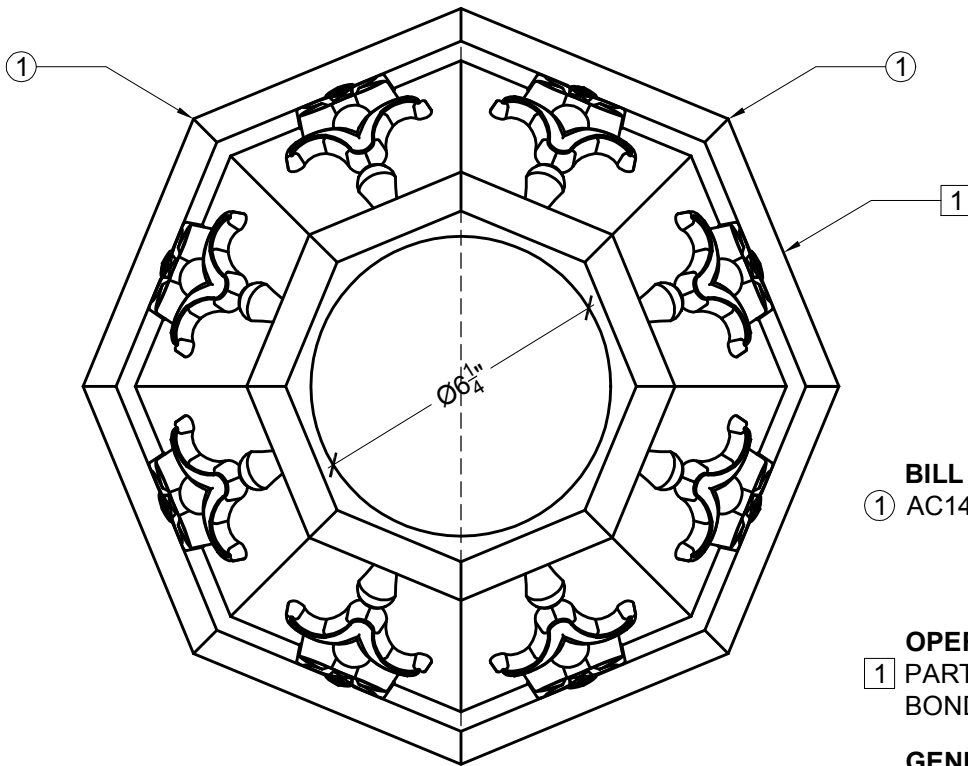
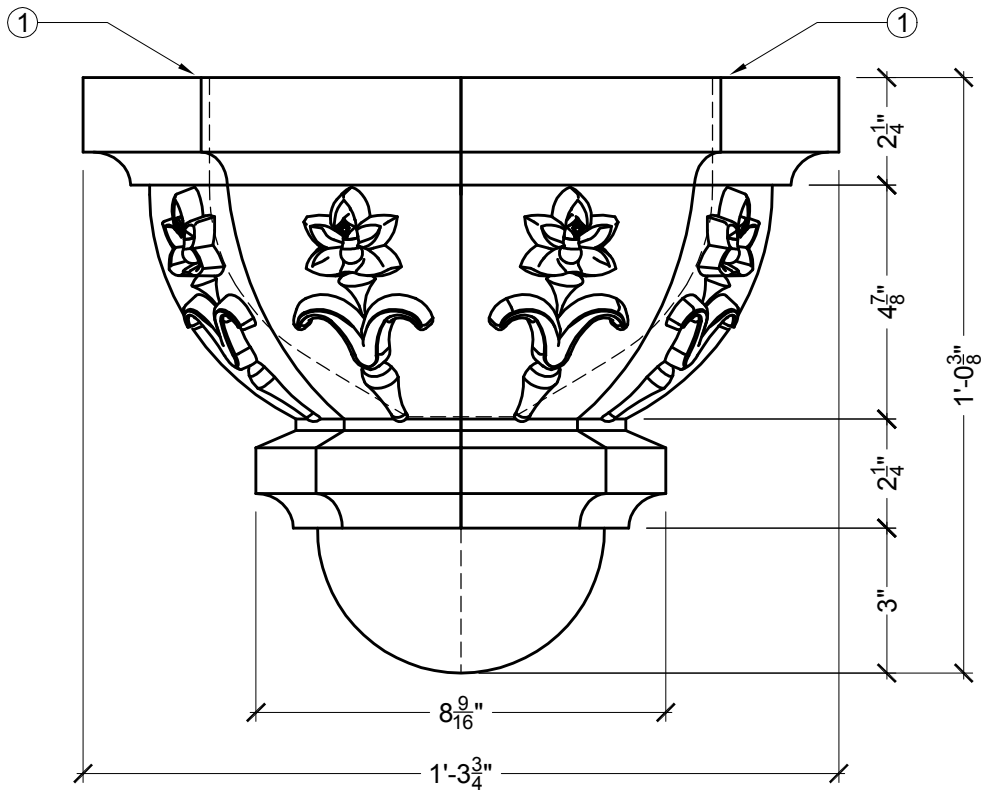
PHONE: 204-388-6700
PHONE: 800-685-9981
FAX: 204-388-6710

BOX 479
PEMBINA,
NORTH DAKOTA
58271-0479
U.S.A

GENERAL NOTES:

1. ALL PRODUCTS ARE DRAWN FOR PRESENTATION PURPOSES, ONLY IMAGE MAY VARY SLIGHTLY FROM ACTUAL PART
2. DRAWING INTENT IS TO INDICATE GENERAL ARRANGEMENT, DESIGN AND INTENT OF WORK IS PARTLY DIAGRAMATIC.
3. SPECTIS RESERVES THE RIGHT TO CHANGE ANY PRODUCT DESIGN WITHOUT

CUSTOMER NAME: STANDARD PRODUCT		PART: XXXXXX	
REFERENCE: XXXXXXXX		SHEET: XX OF XX	
DRAWN BY: J-	DATE: 07/-/-	SCALE: $\frac{1}{4}$ = 1"	REV:



BILL OF MATERIAL

- ① AC1416 HALF

OPERATIONS

- ① PART MADE FROM TWO HALVES AND BONDED TOGETHER

GENERAL NOTES:

- PL PREMIUM ADHESIVE MUST BE USED ON ALL BEDDING/BUTT JOINTS
- INTERIOR OF PART WILL BE HOLLOW



SPECTIS MOULDERS INC.

P.O. BOX 970
100 CEDAR DRIVE
NIVERVILLE, MANITOBA
CANADA R0A 1E0

PHONE: 204-388-6700
PHONE: 800-685-9981
FAX: 204-388-6710

BOX 479
PEMBINA,
NORTH DAKOTA
58271-0479
U.S.A

- GENERAL NOTES:
1. ALL PRODUCTS ARE DRAWN FOR PRESENTATION PURPOSES, ONLY IMAGE MAY VARY SLIGHTLY FROM ACTUAL PART
 2. DRAWING INTENT IS TO INDICATE GENERAL ARRANGEMENT, DESIGN AND INTENT OF WORK IS PARTLY DIAGRAMATIC.
 3. SPECTIS RESERVES THE RIGHT TO CHANGE ANY PRODUCT DESIGN WITHOUT

© 2006, Spectis Moulders Inc. All rights reserved. This document may not be

CUSTOMER NAME:		PART:	
STANDARD PRODUCT		AC1416	
REFERENCE:		SHEET:	
ACORN		01 OF 01	
DRAWN BY:	DATE:	SCALE:	REV:
JRB	08/23/07	1/4" = 1"	